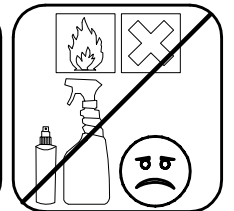
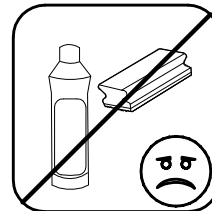
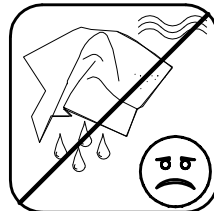
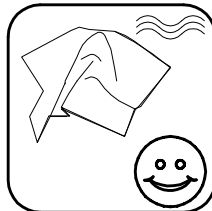
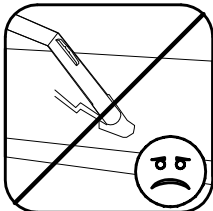
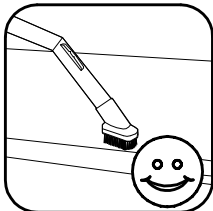
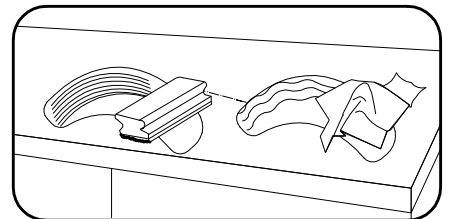
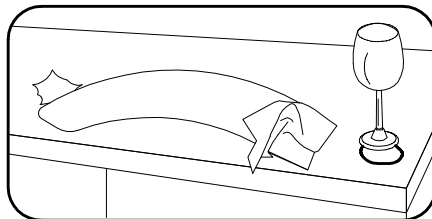
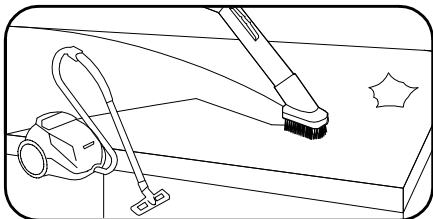
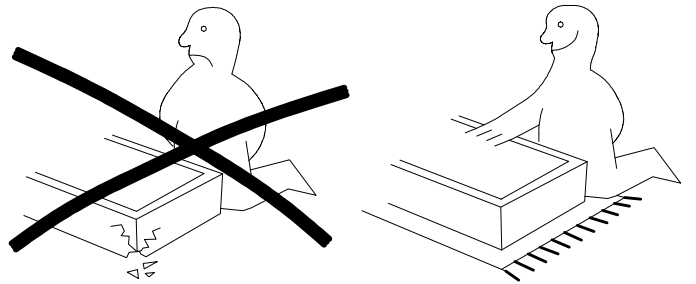
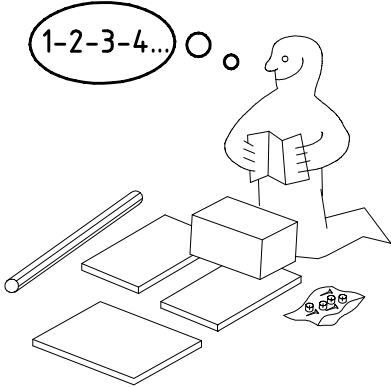
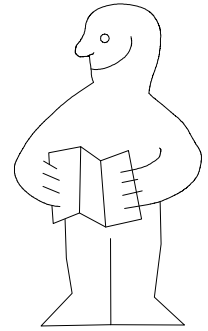
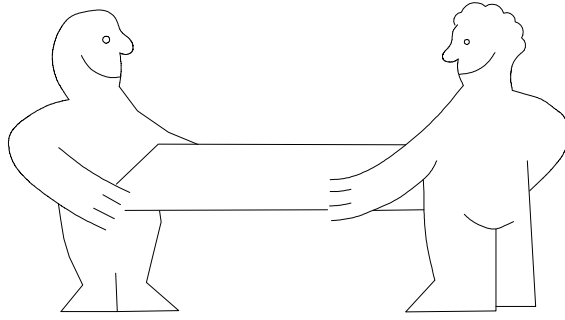
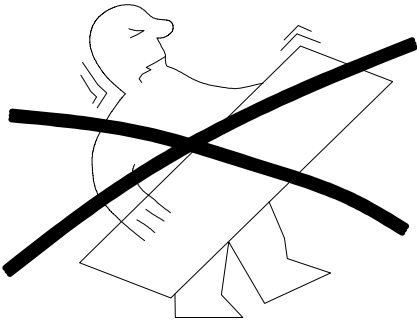

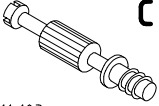
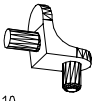
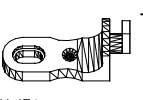

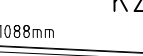
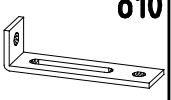


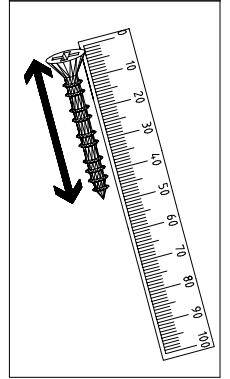
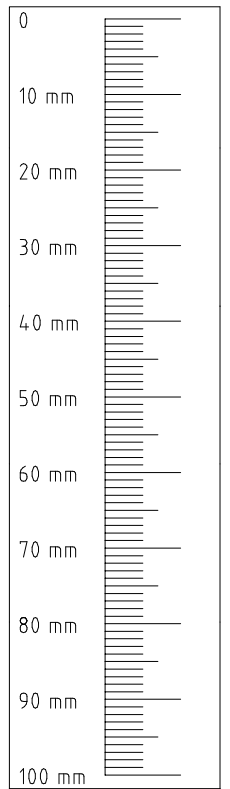
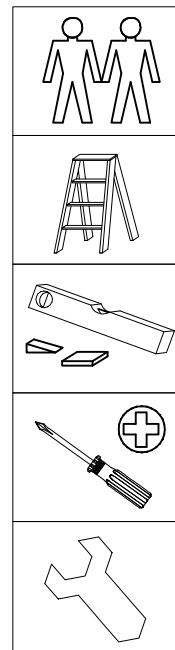
Typ 643

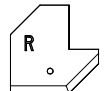
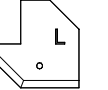




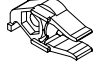
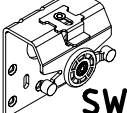
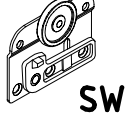
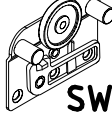
	A	12x
111 102		
	C	12x
111 103		
	L7	8x
111 610		

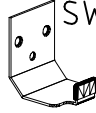
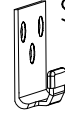
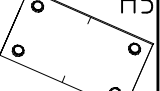
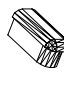
	J1	4x
111 174		
	K1	4x
117 001		
	K22	2x
1088mm 112 404		



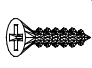
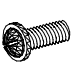
	o10	1x
111 037		

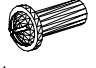


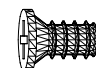


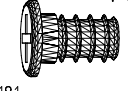
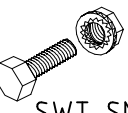
	SWH-SKR	1x
	SWH-SKL	1x
	SW-STM	1x
	SWH-D	2x

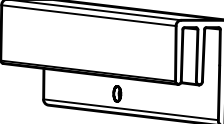
	SWH-ST	2x
	SWH1	2x
	SWH2	2x
	SWH3	2x

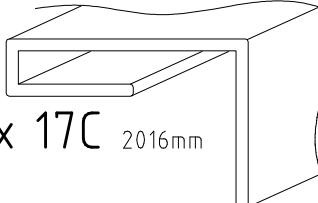
	SWH 6	2x
	SWH 7	4x
	H5	9x
114 183		
	SW-AK	4x

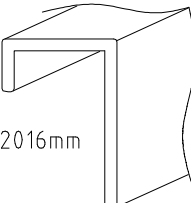
	G1	8x
3,5 x 15 mm 121 370		
	G14	14x
3,5 x 35 mm 121 375		
	G24	9x
3,5 x 22 mm 121 004		
	G43	5x
M4 x 10 mm 121 xxx		

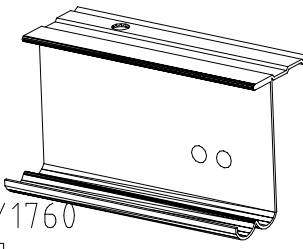
	GH13	5x
M4 x 13 mm 121 xxx		
	SP13	90x
4 X 13mm 121 122		
	SP15	1x
4 X 15mm 121 120		
	T2	34x
6,3 x 10,5 mm 111 030		

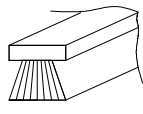
	T6	4x
M6 x 11 mm 121 181		
	SWT-SM5	2x

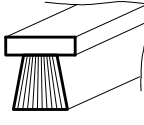
	FPN
1316/1760 2204/2648/3092/3536	

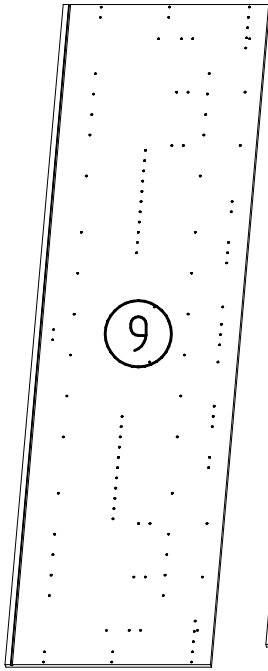
	4x 17C 2016mm
---	----------------------

	2x 17B 2016mm
---	----------------------

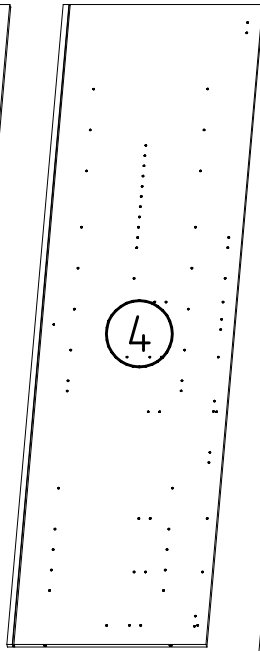
	LP
1316/1760 2204/2648/3092/3536	

	2x 17D
---	---------------

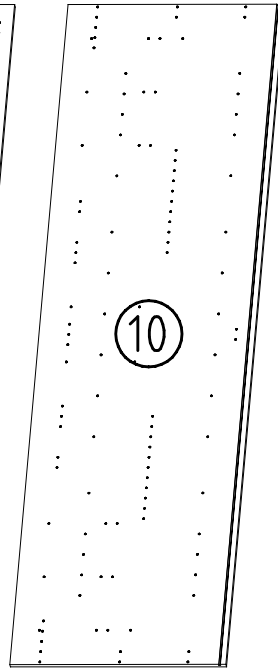
	2x 17E
--	---------------



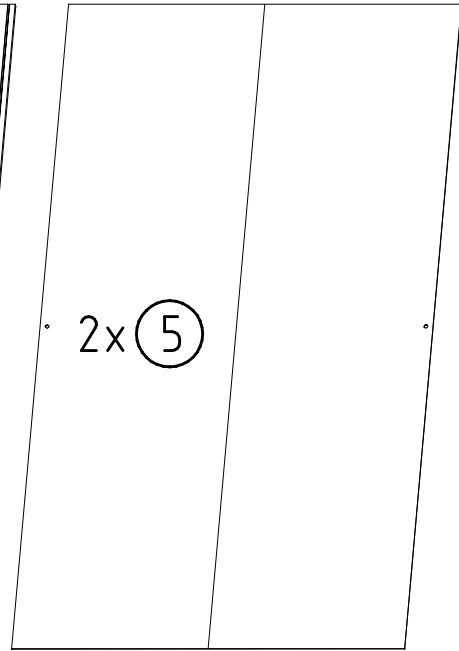
2064x577x15



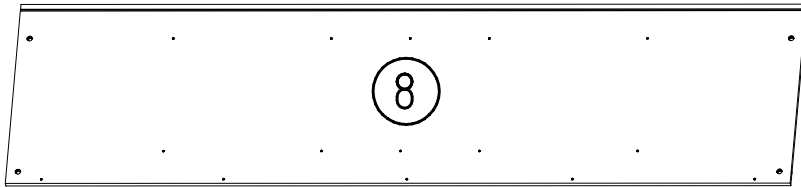
2001x560x15



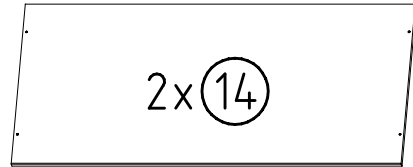
2064x577x15



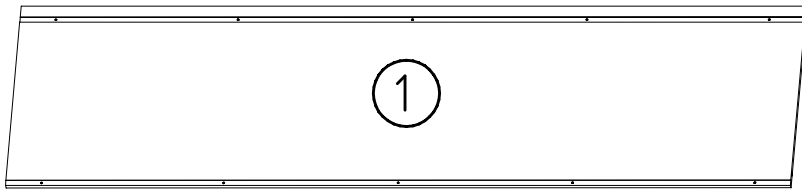
2015x1104x2,5



2205x560x15



1095x500x18

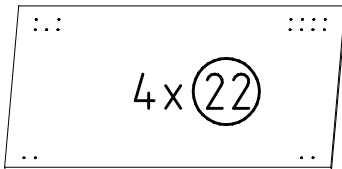


2205x560x15

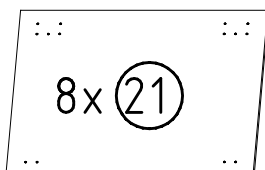
2x (2)



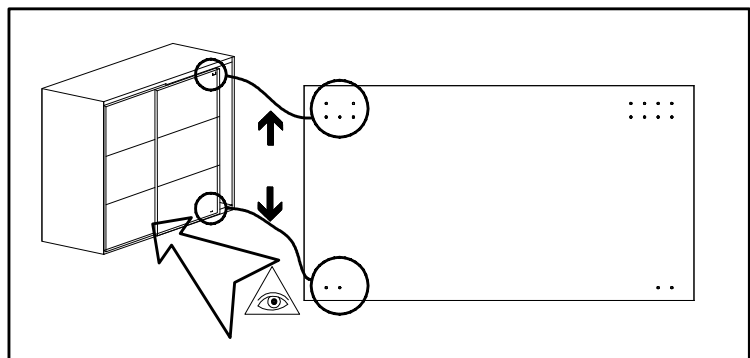
2204x32x15

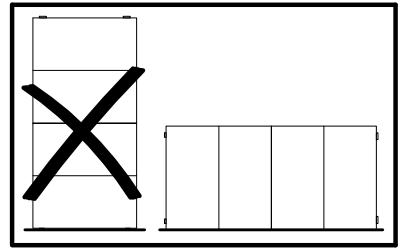
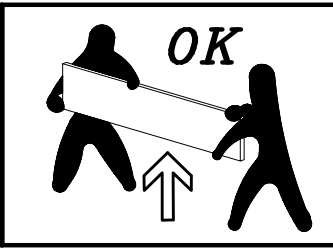
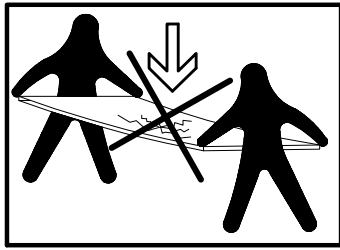
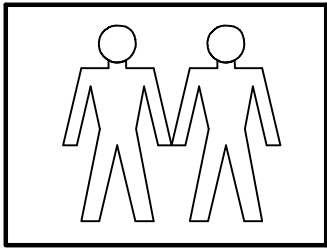


916x504x15

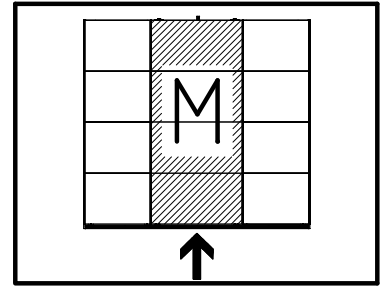
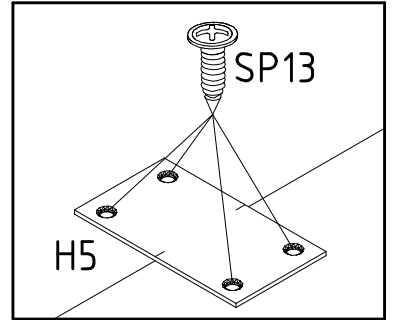
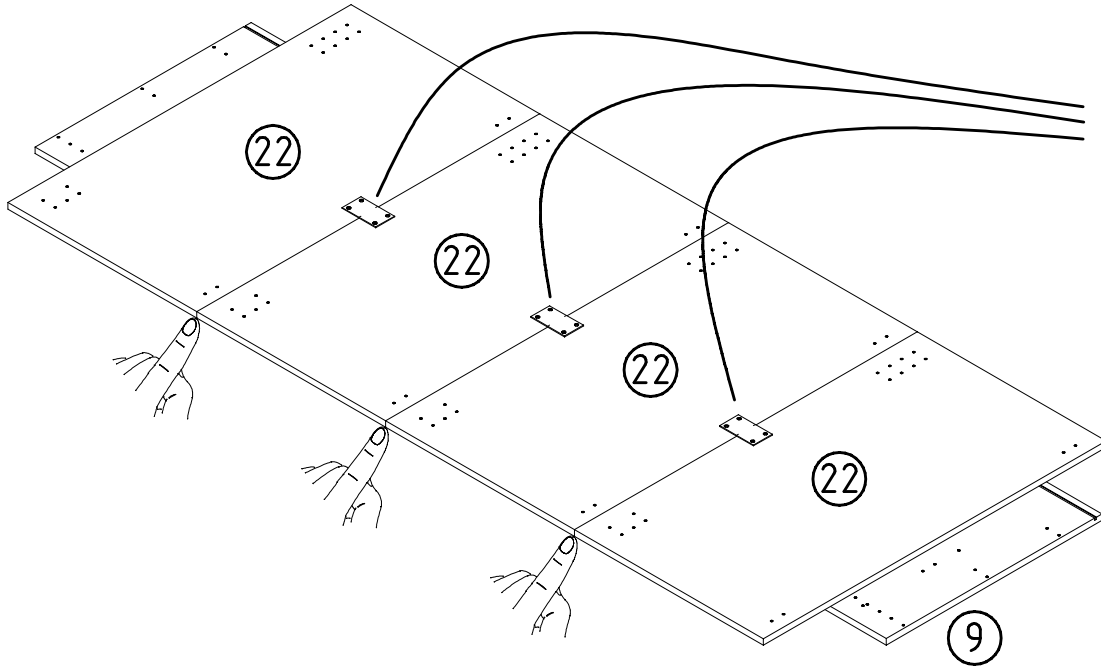
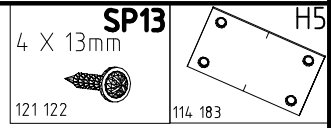


694x504x15

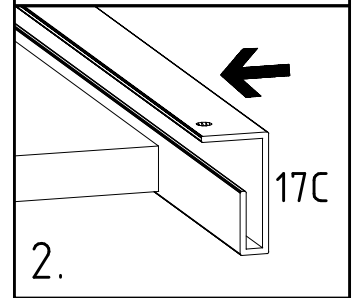
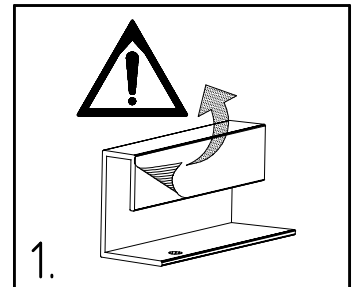
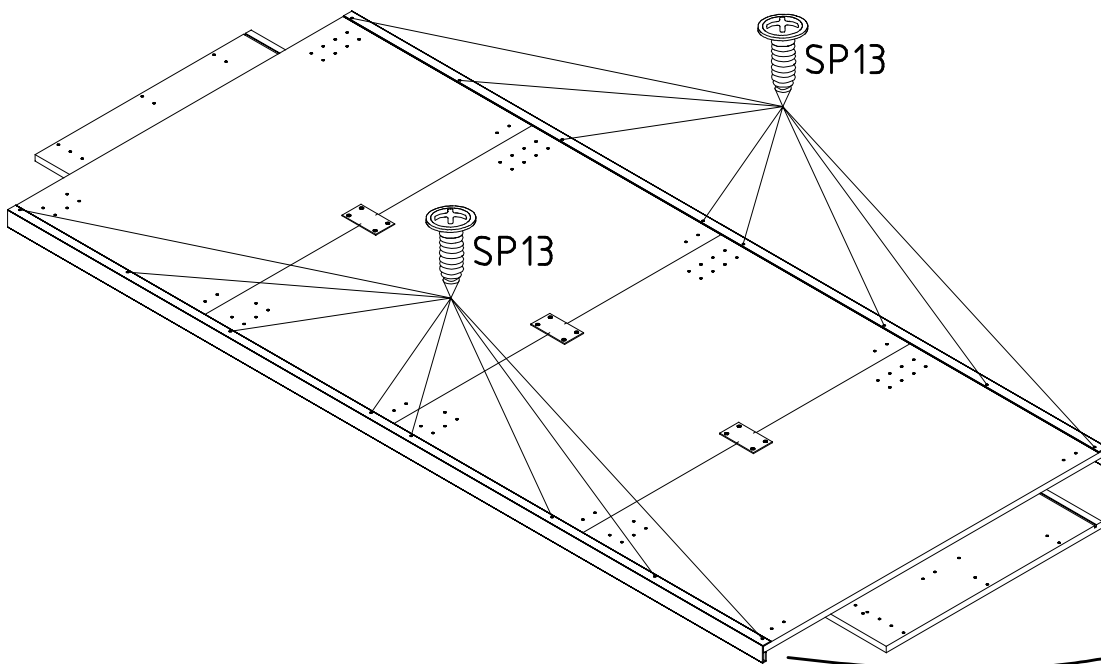
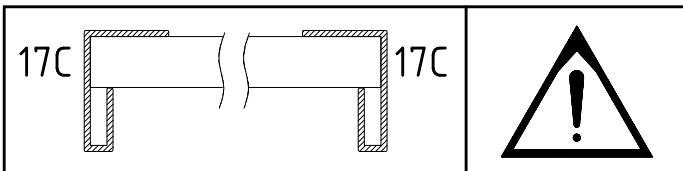




1



2



3

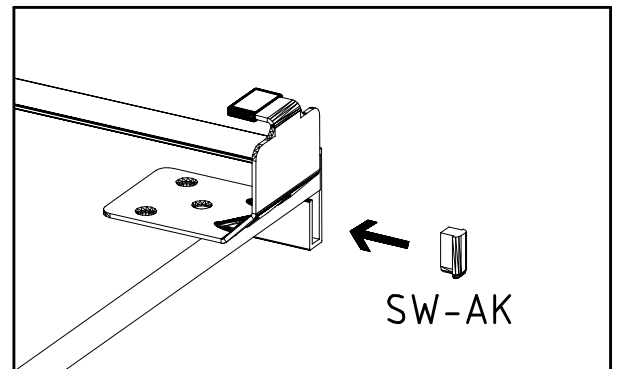
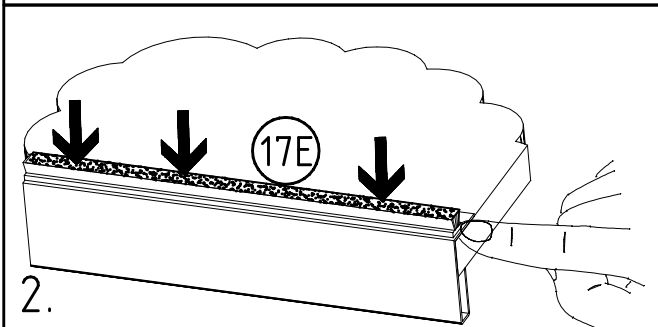
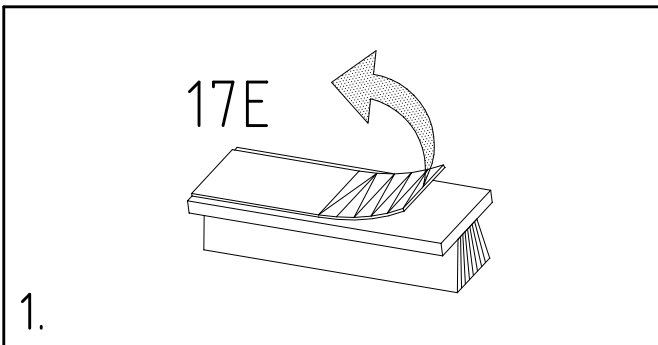
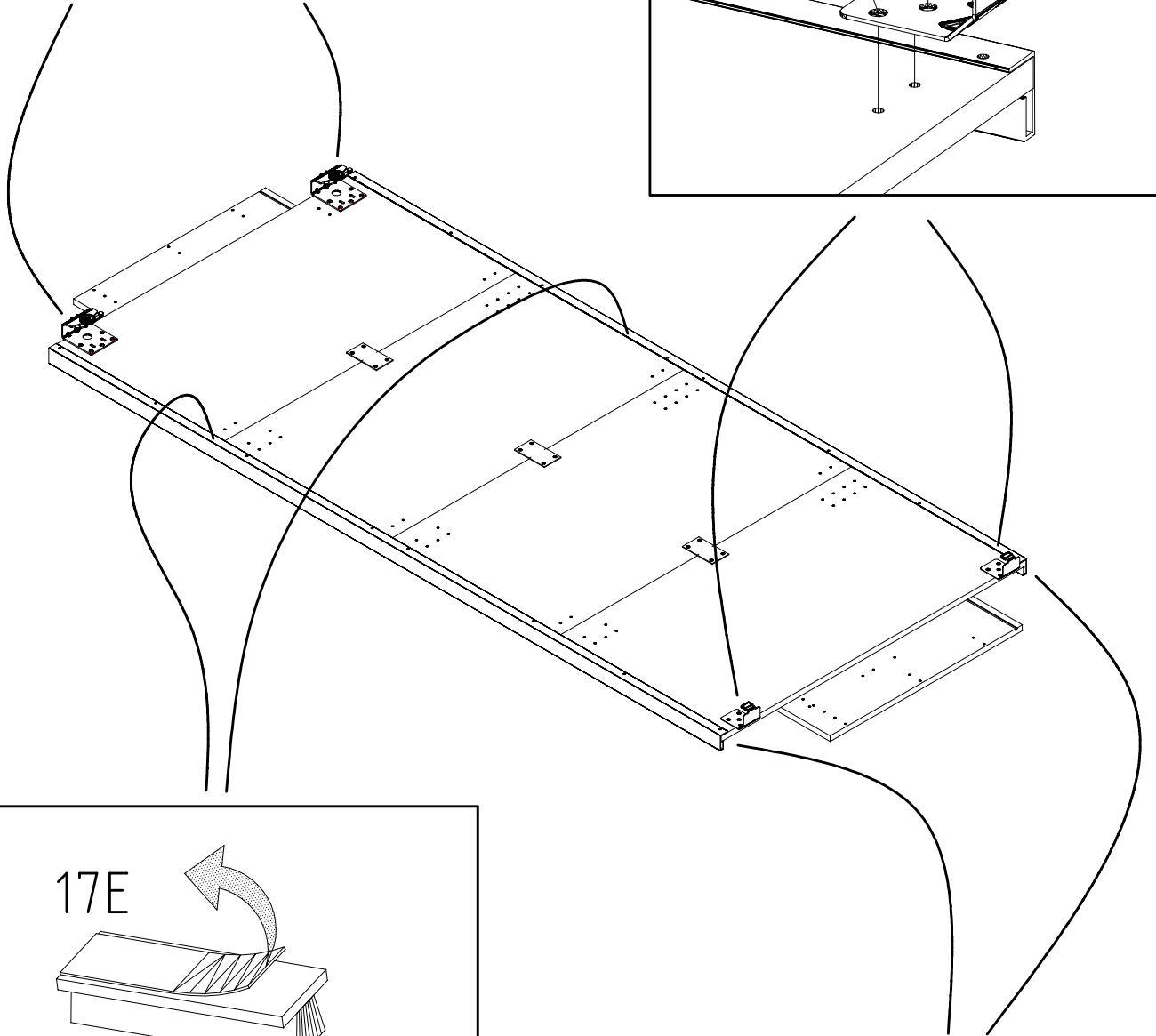
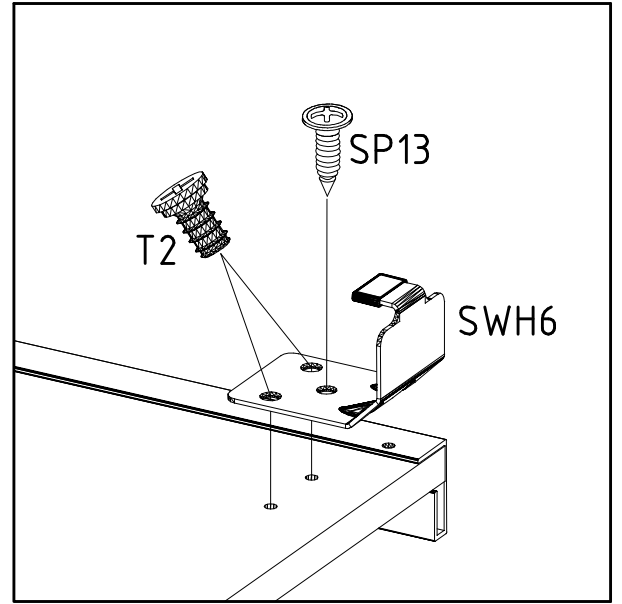
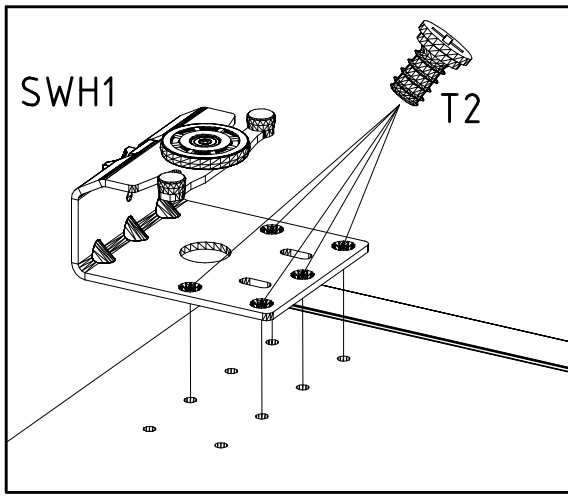
SP13 4 X 13mm
121 122

6,3 x 10,5 mm T2
111 030

SW-AK

SWH 6

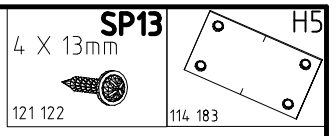
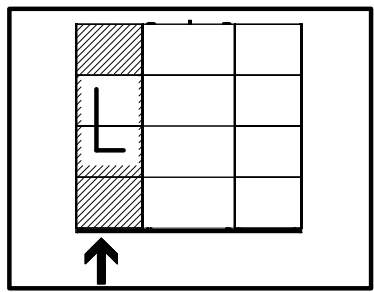
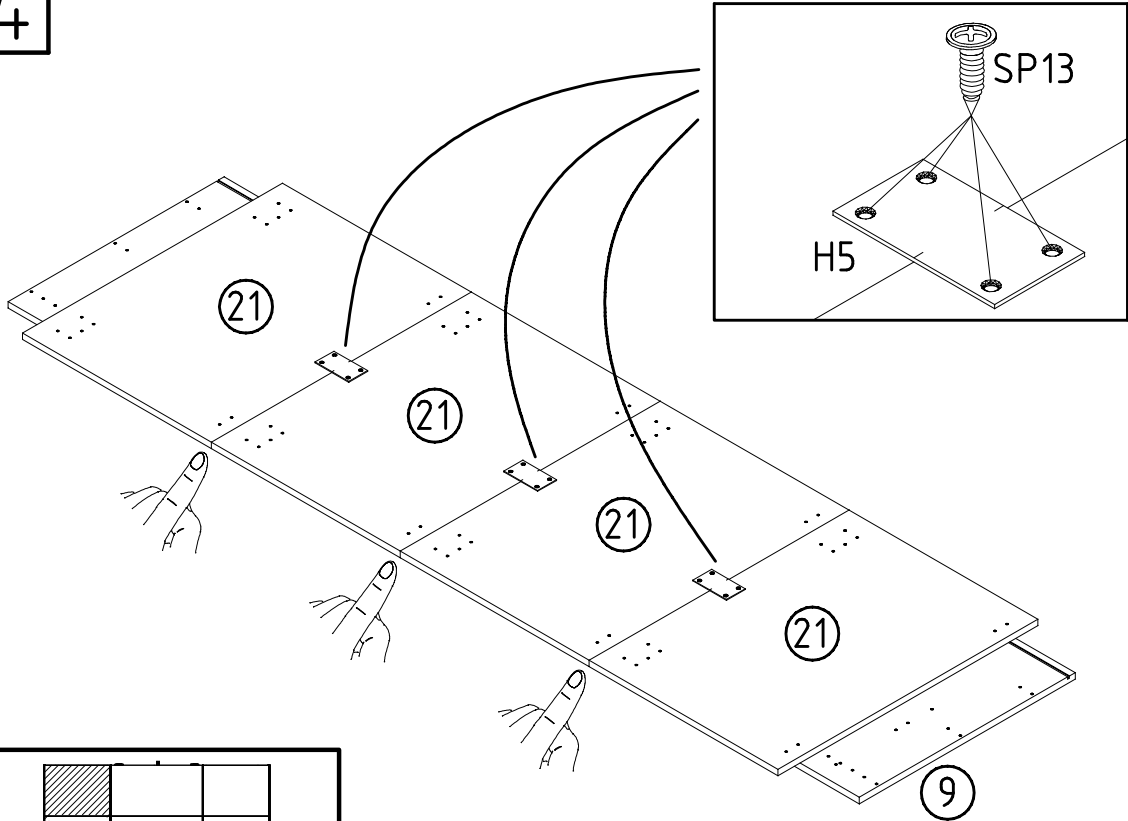
SWH1



4

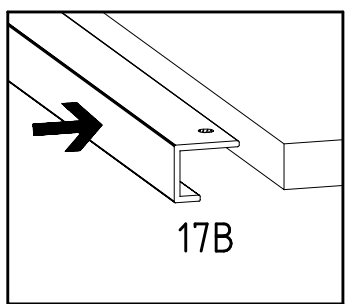
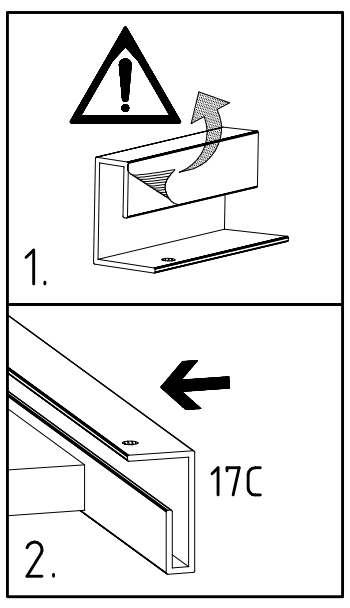
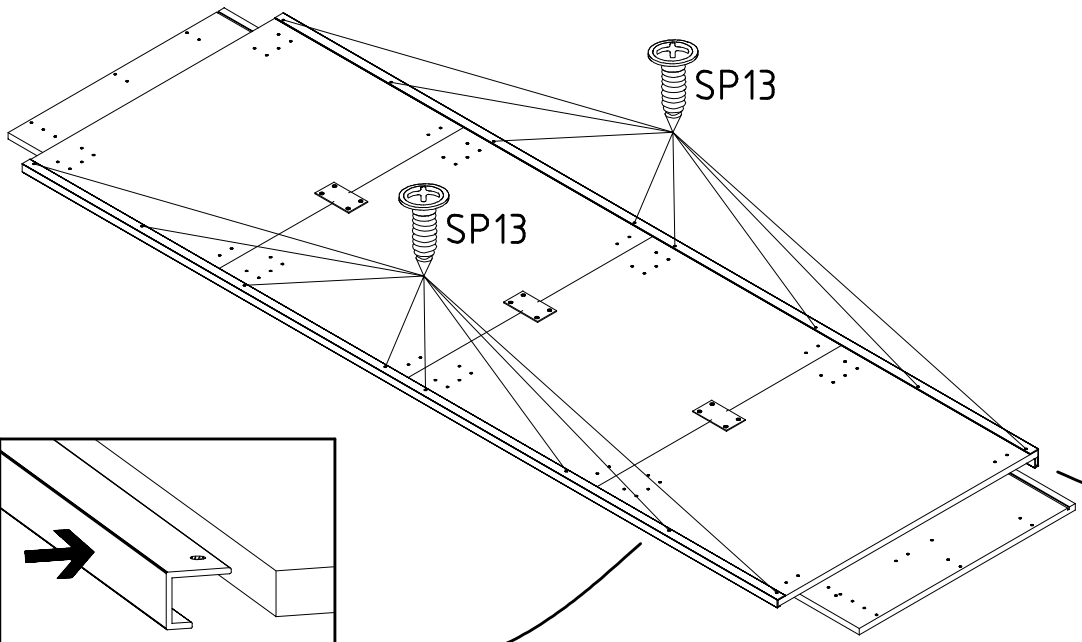
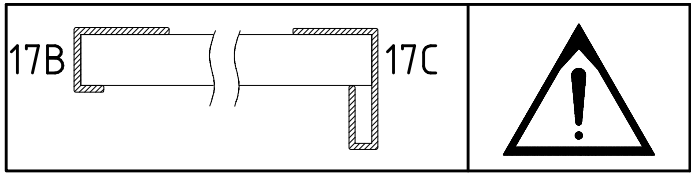
SP13
4 X 13mm
121 122

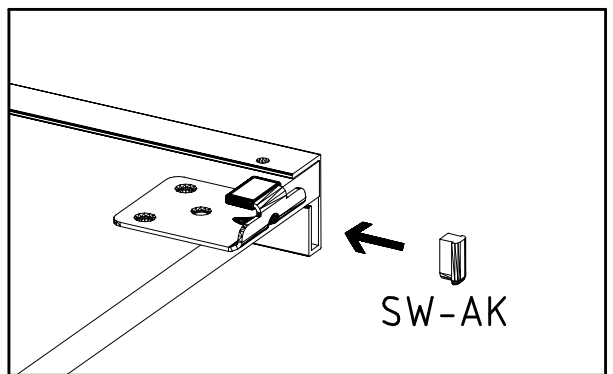
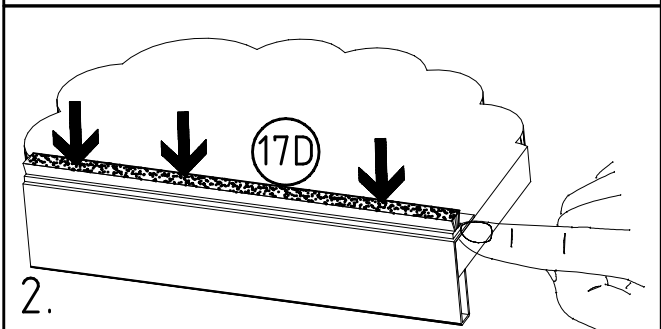
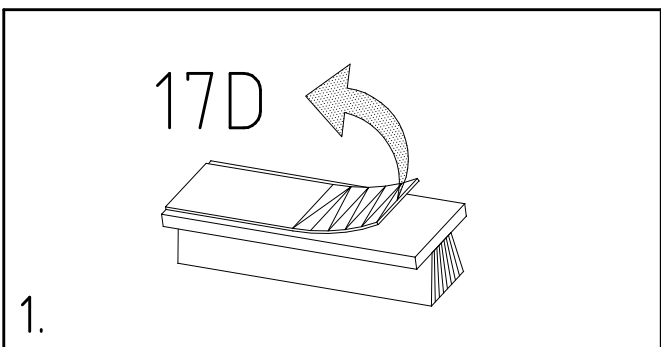
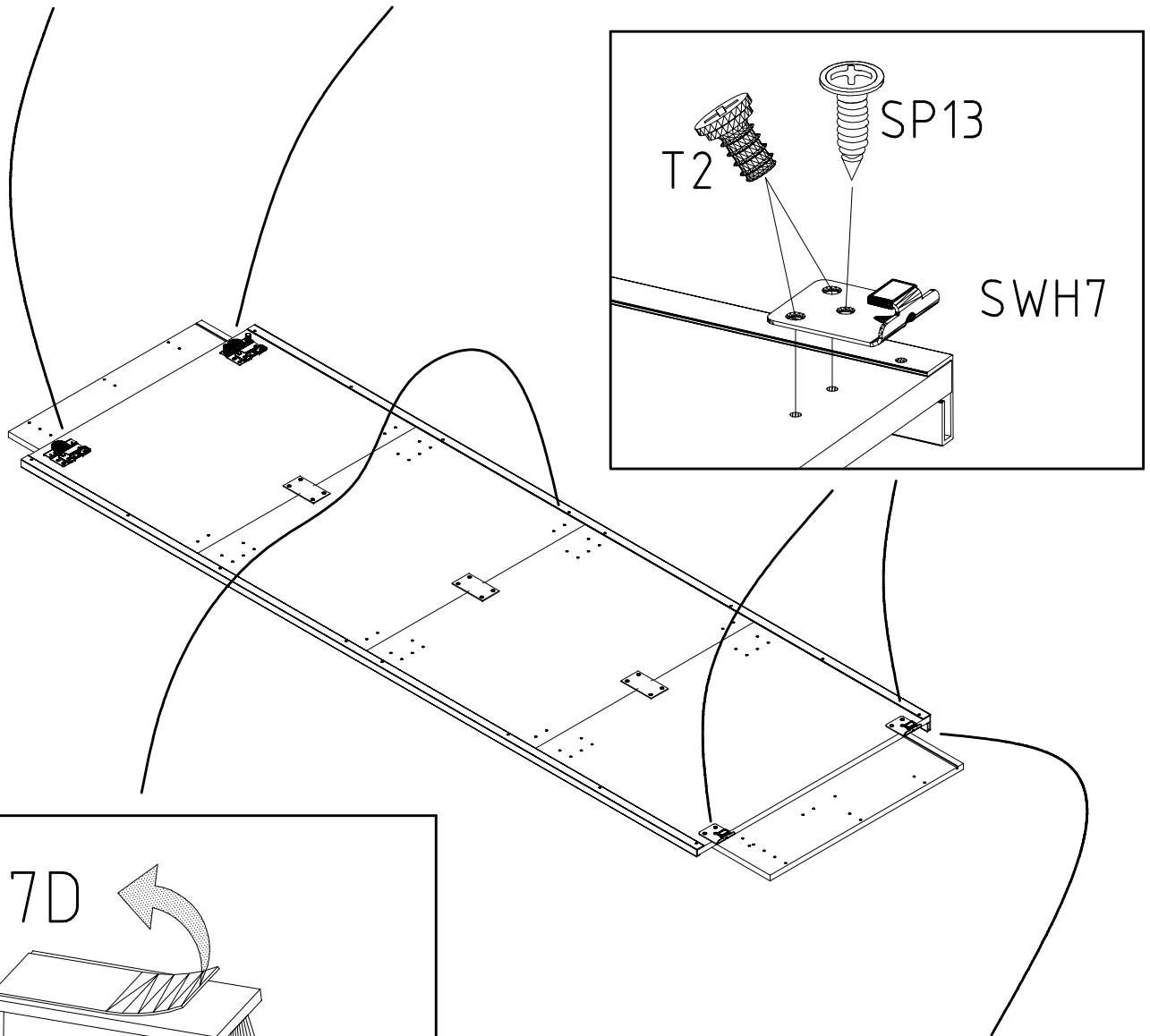
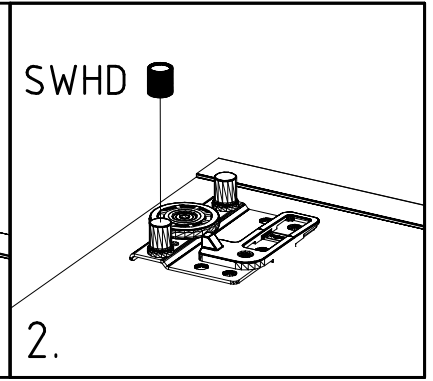
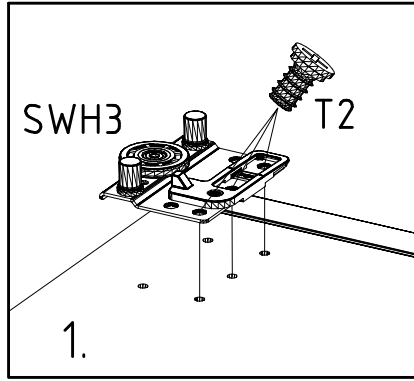
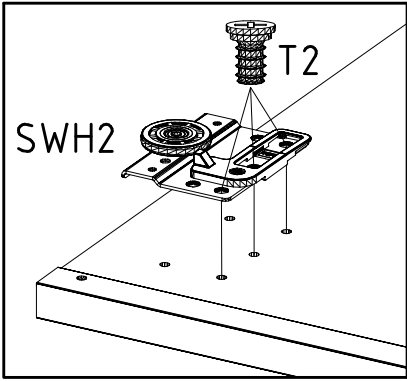
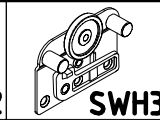
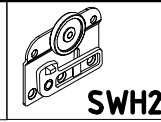
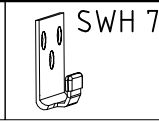
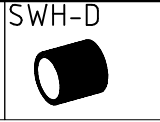
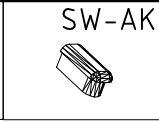
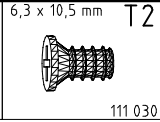
H5
114 183

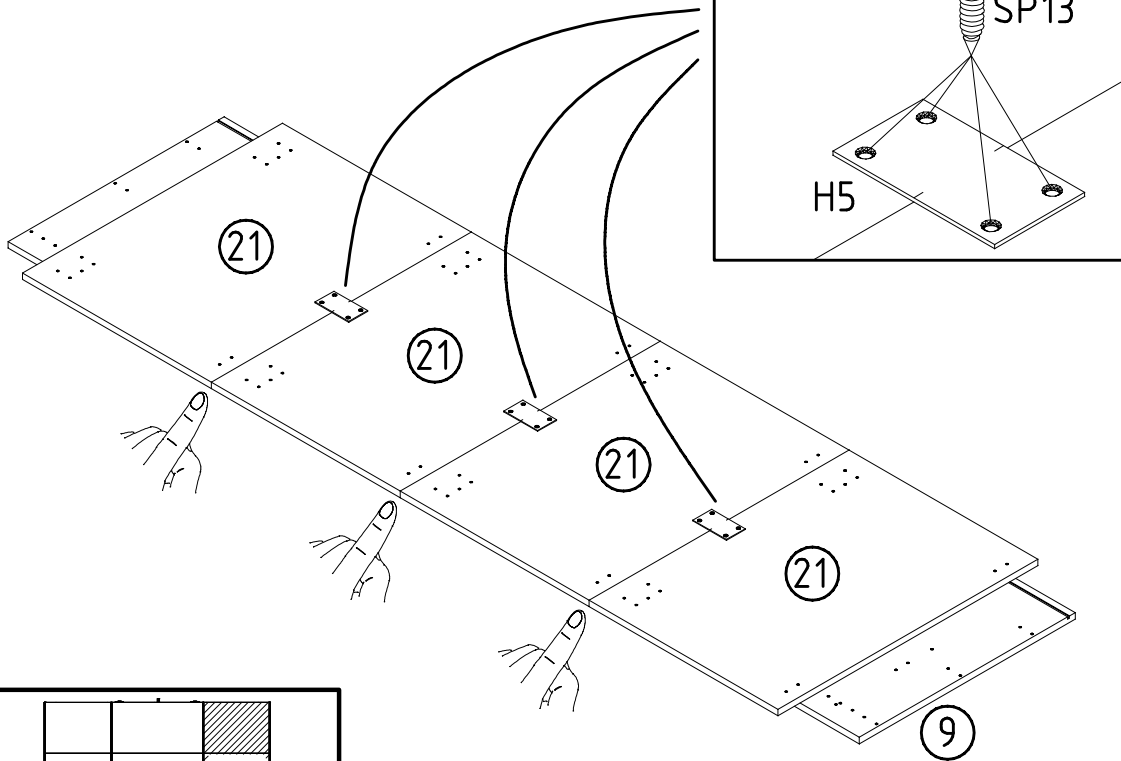
5

SP13
4 X 13mm
121 122

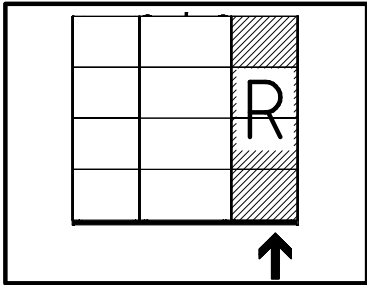


7

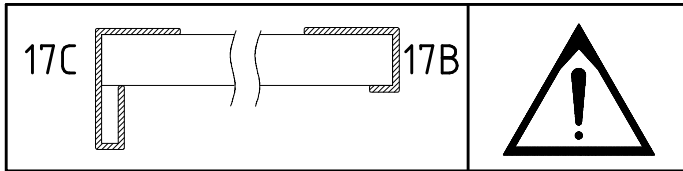


SP13
4 X 13mm
121 122

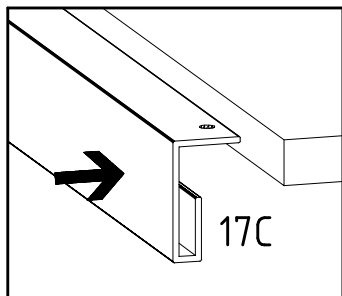
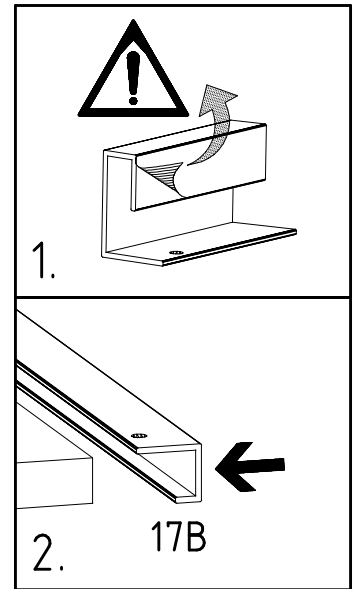
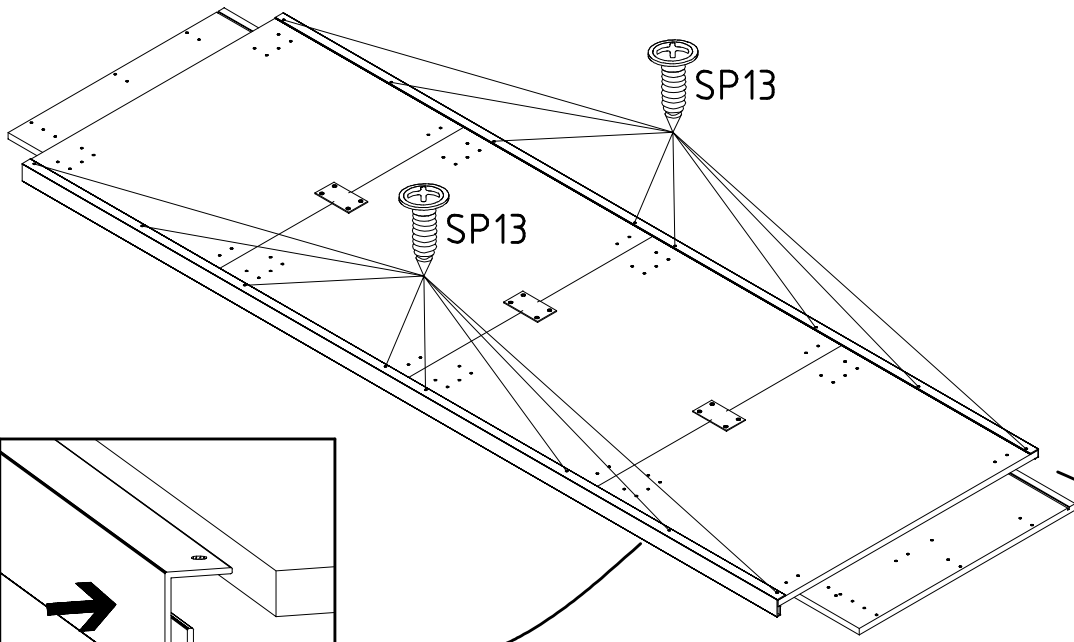
H5
114 183

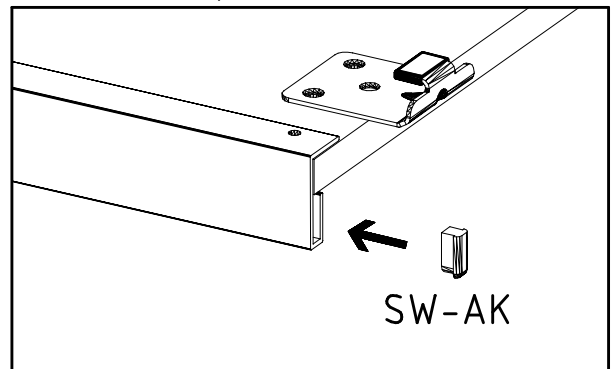
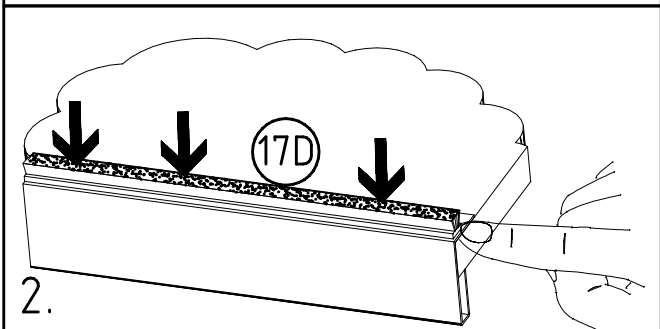
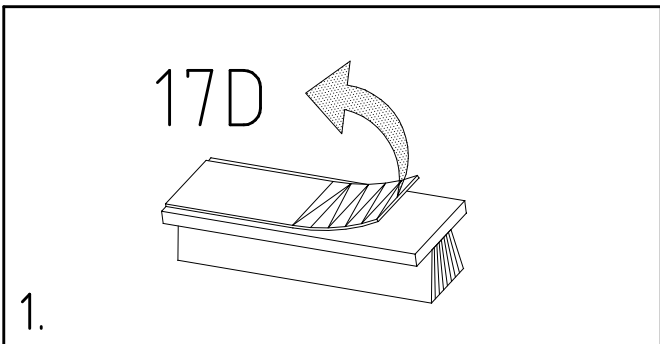
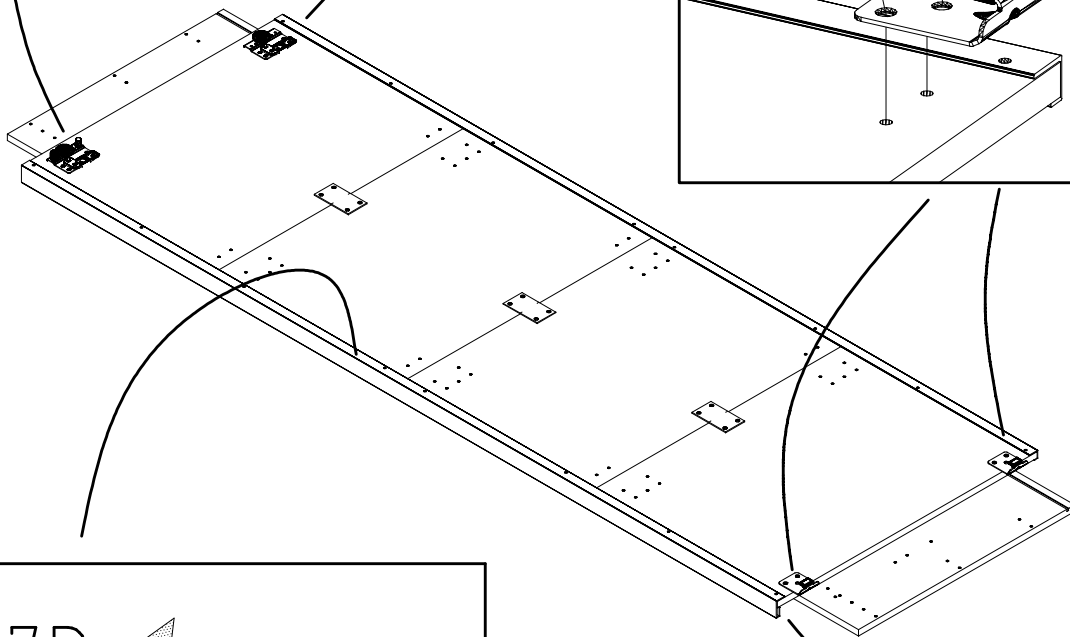
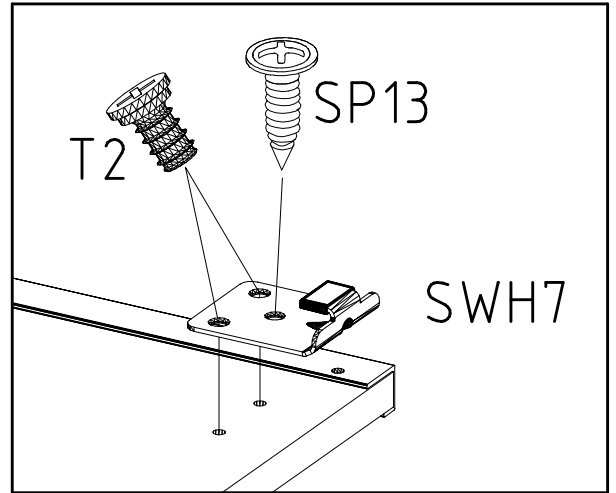
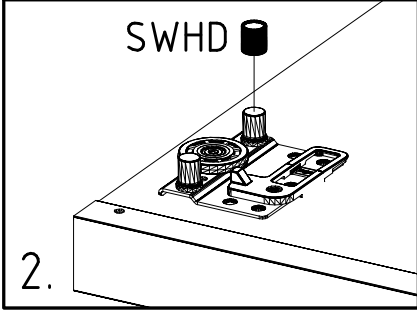
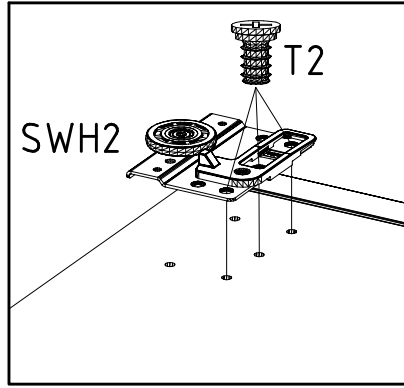
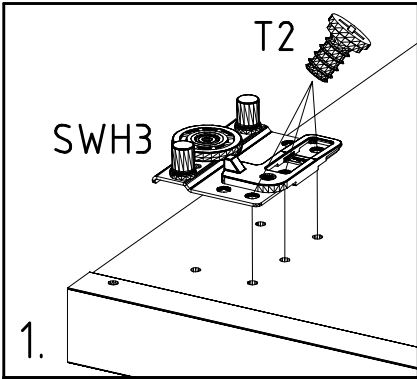
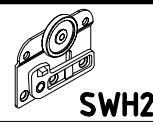
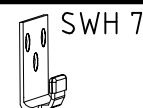
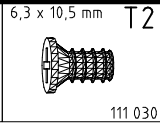


8



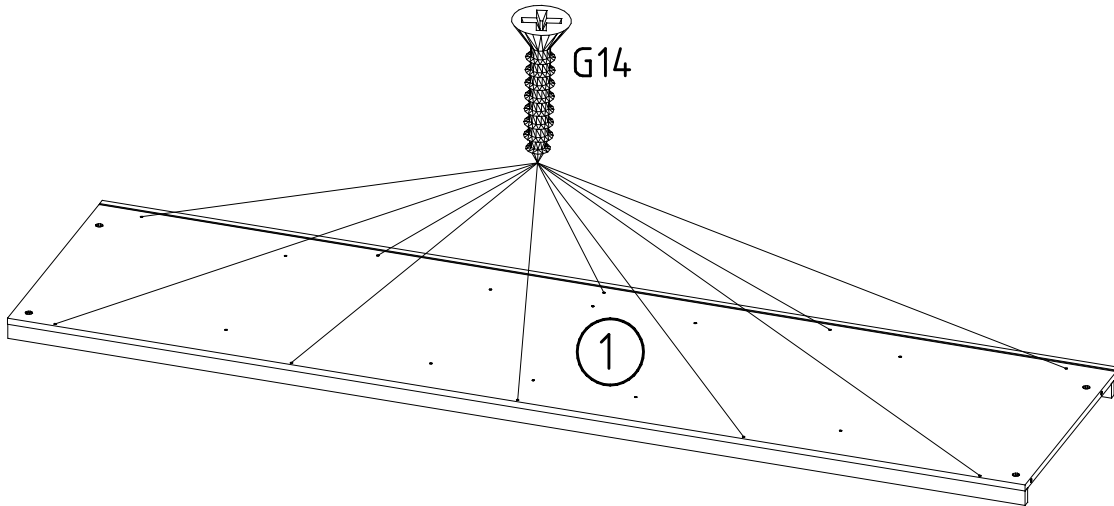
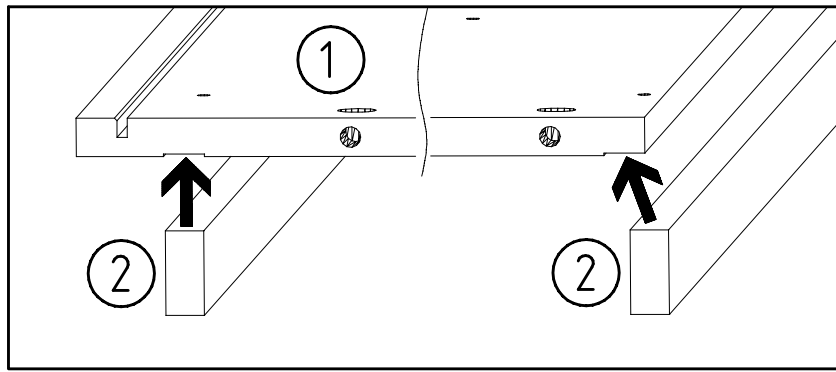
SP13
4 X 13mm
121 122





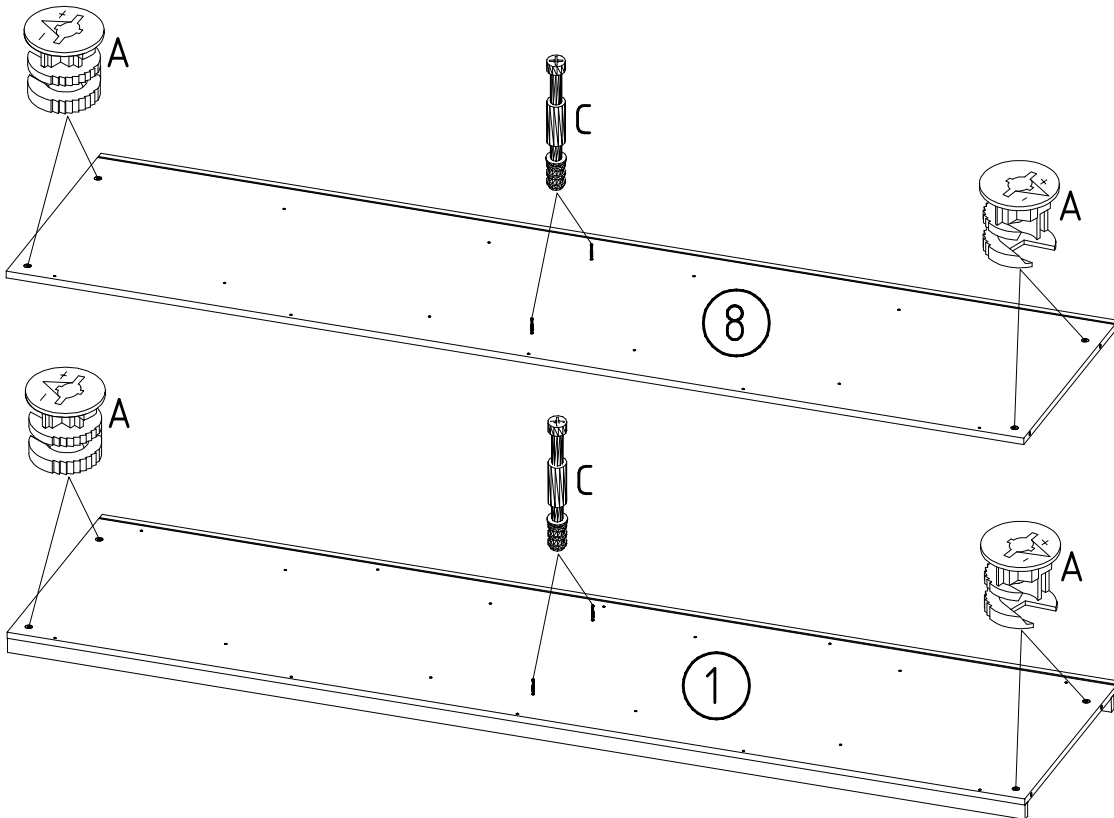
10

3,5 x 35 mm G14
121 375

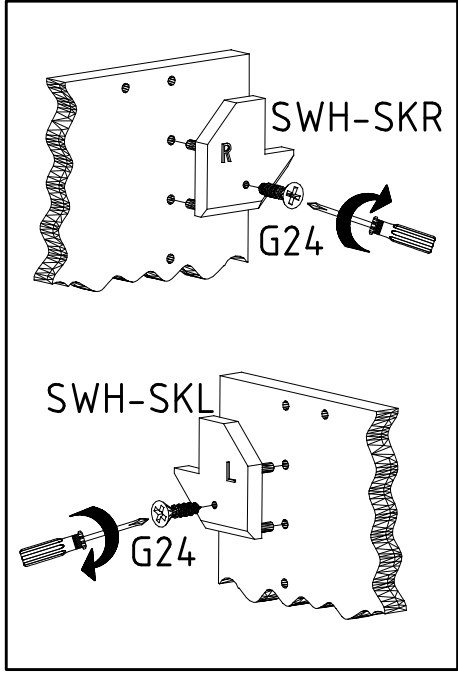
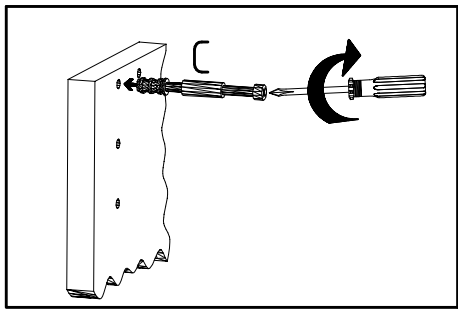
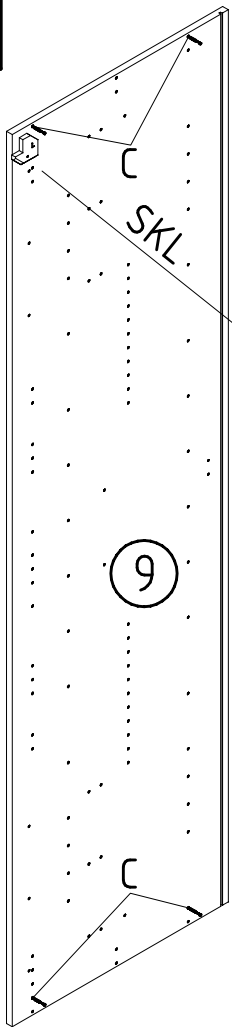


11

111 103 C
111 102 A



12



C

111 103

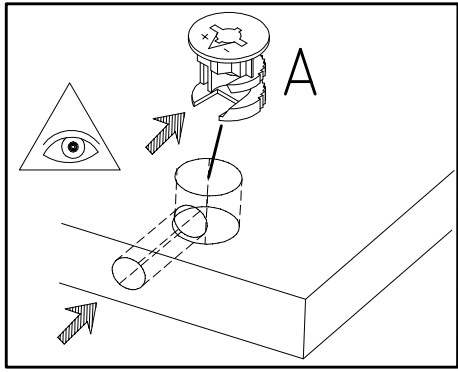
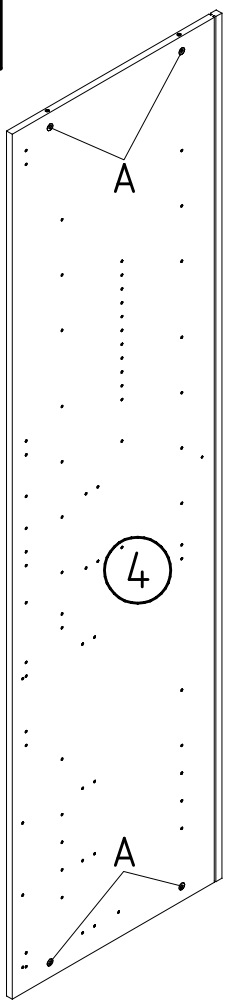
SWH-SKR

SWH-SKL

3,5 x 22 mm **G24**

121 004

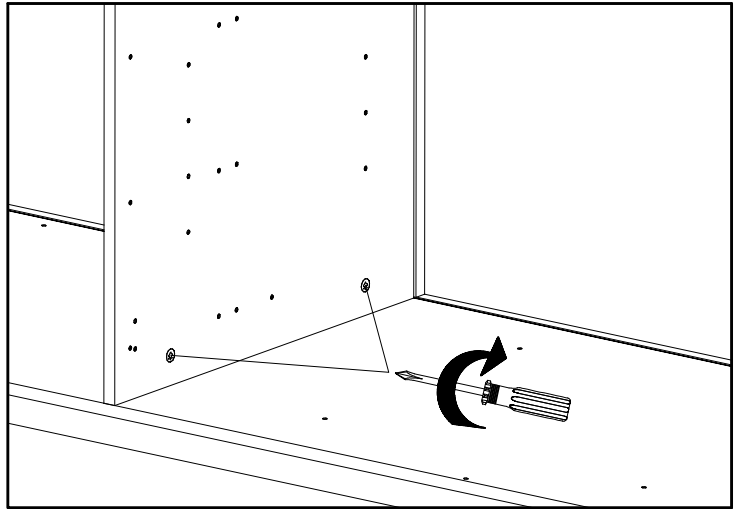
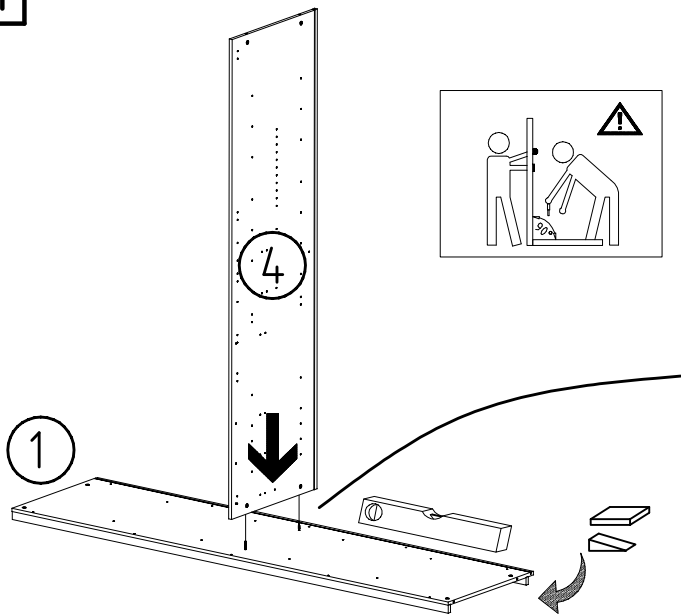
13



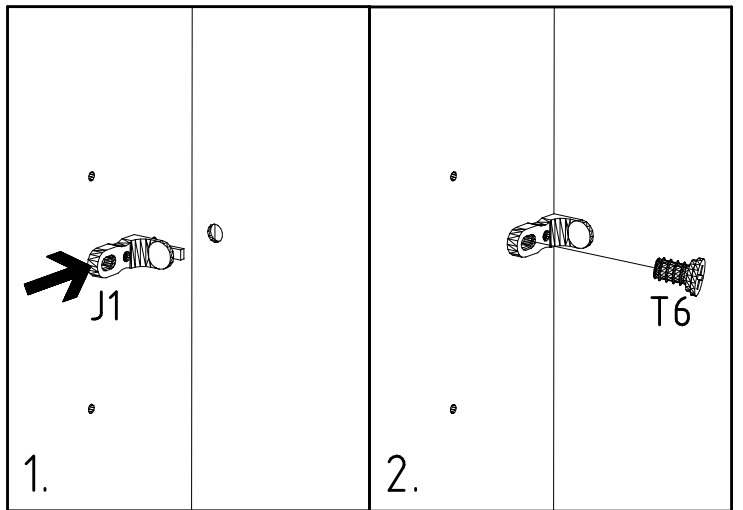
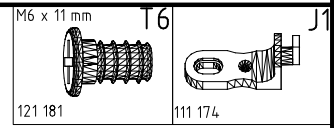
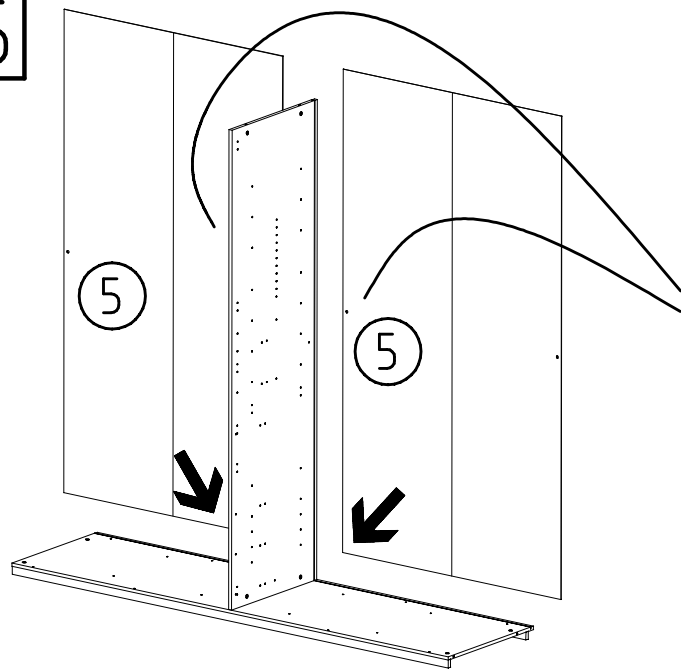
A

111 102

14

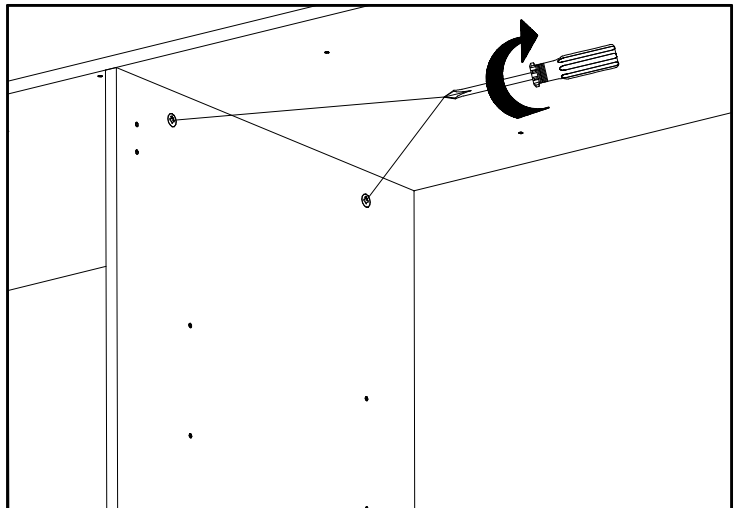
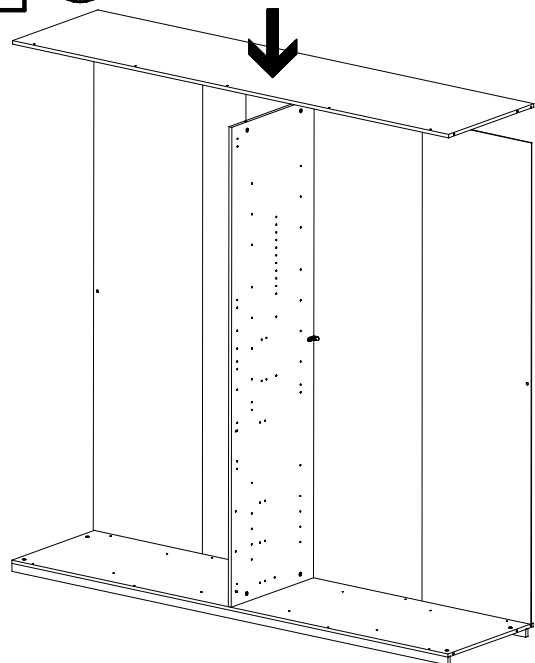


15

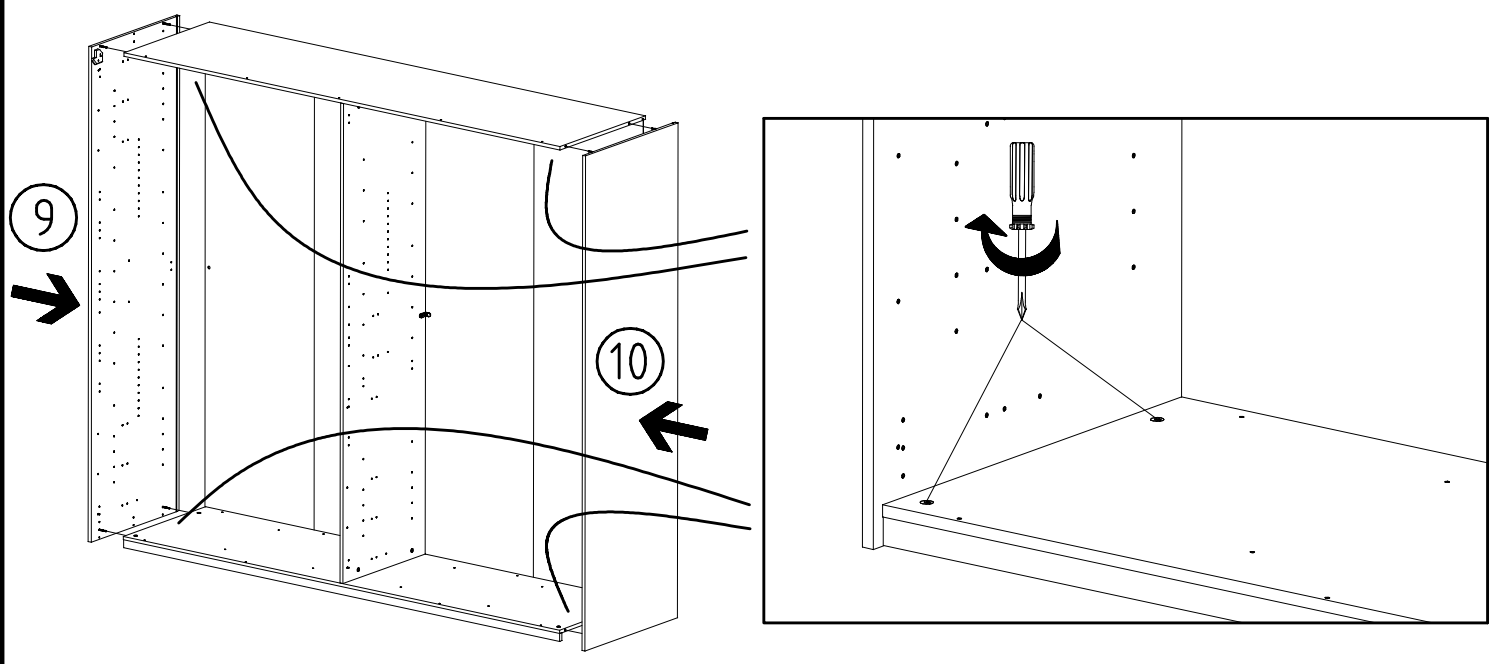


16

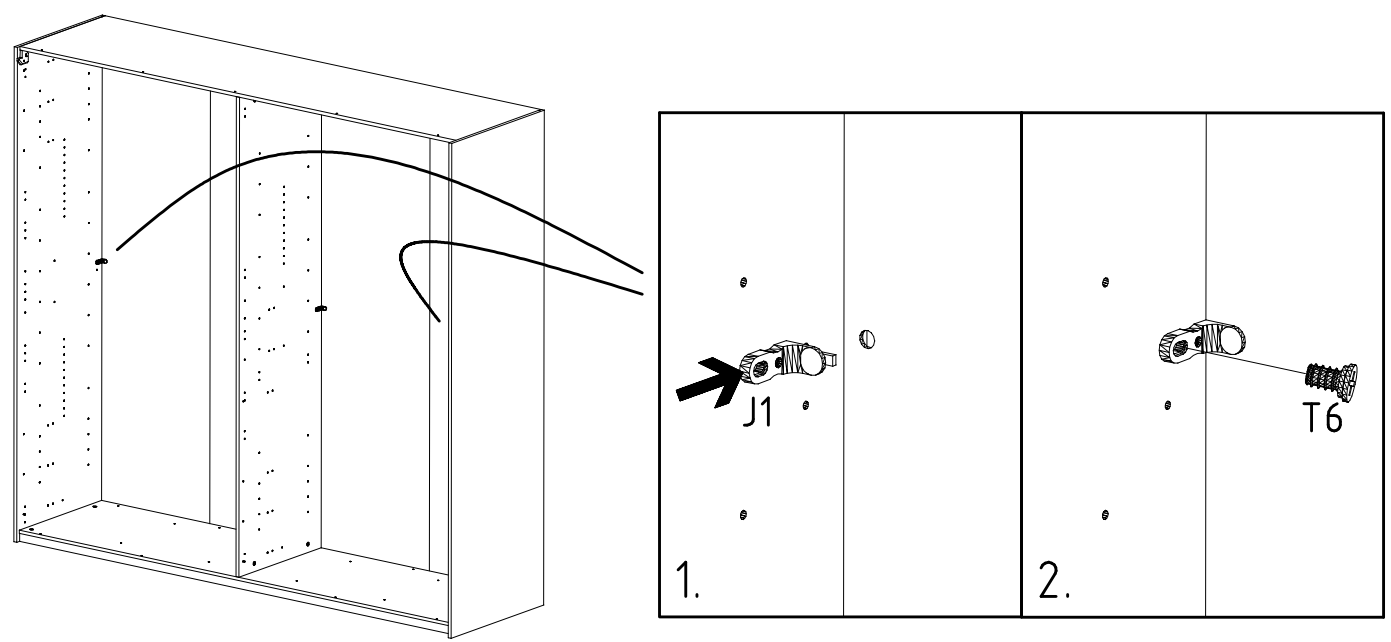
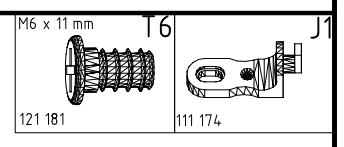
8



17

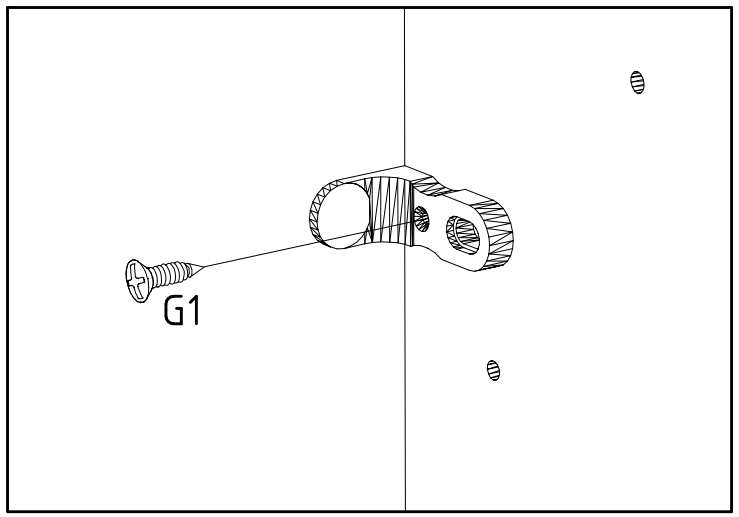
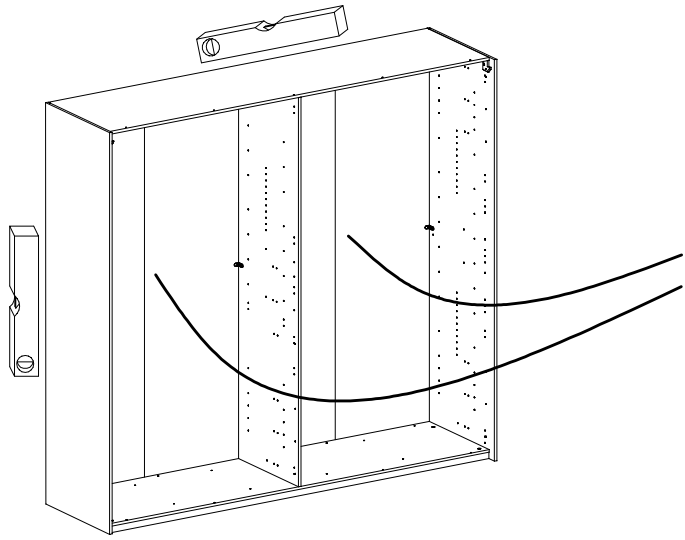


18



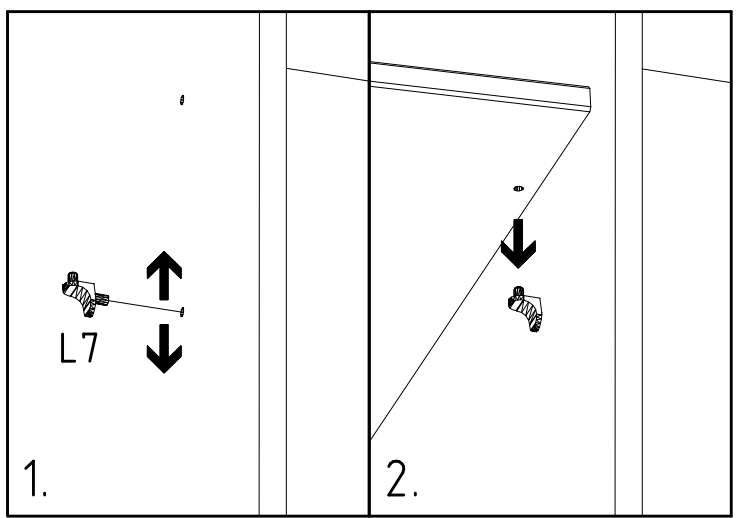
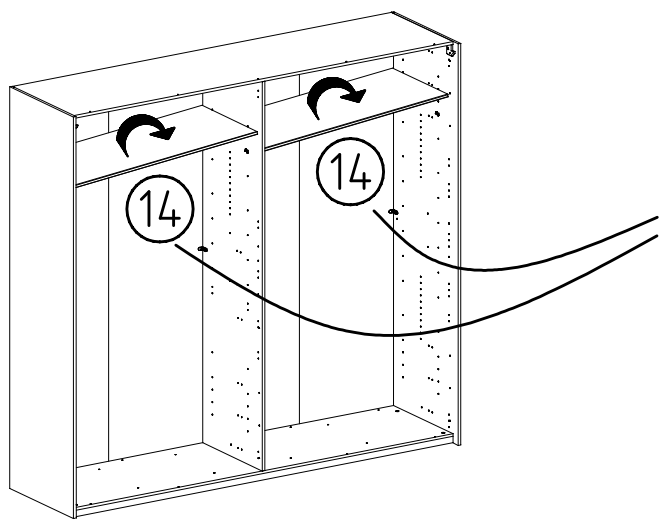
19

3,5 x 15 mm G1
121 370



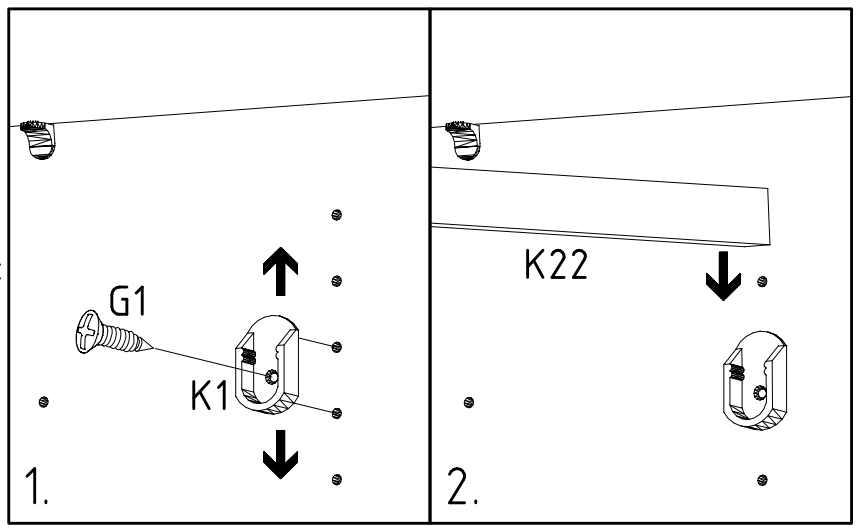
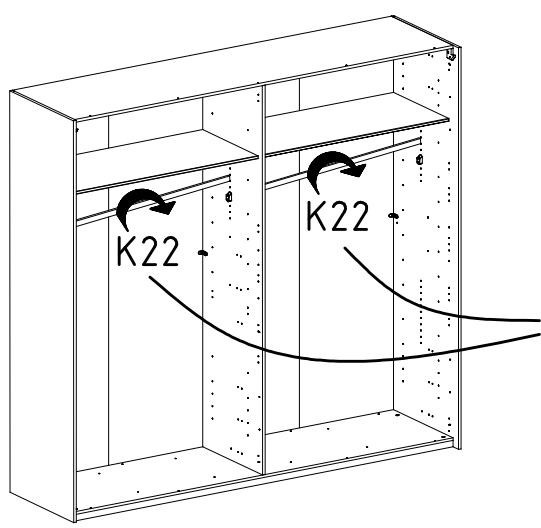
20

L7
111 610



21

3,5 x 15 mm G1 121 370
K22 1088mm 112 404
K1 117 001



22

3,5 x 35 mm
G14
121 375

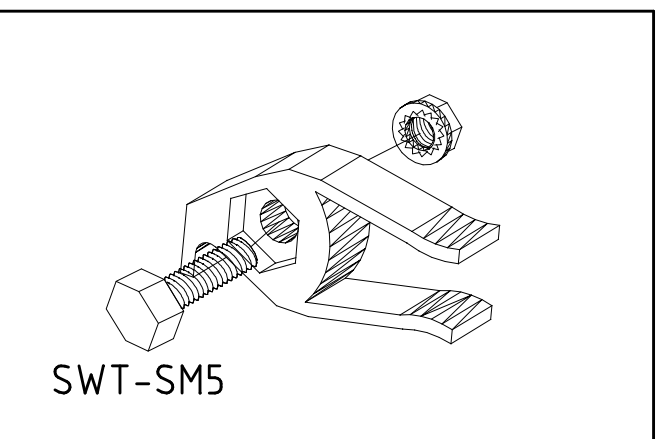
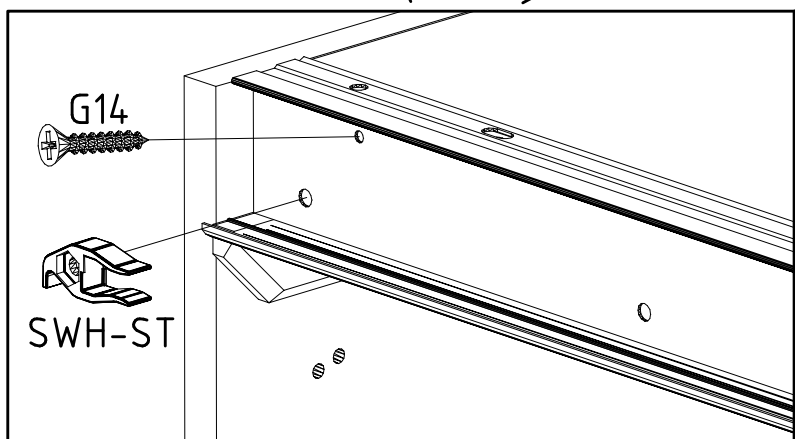
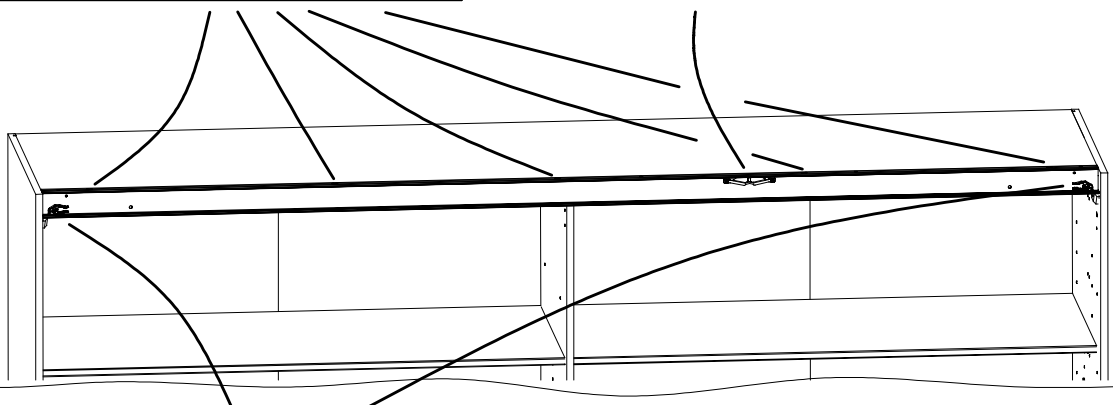
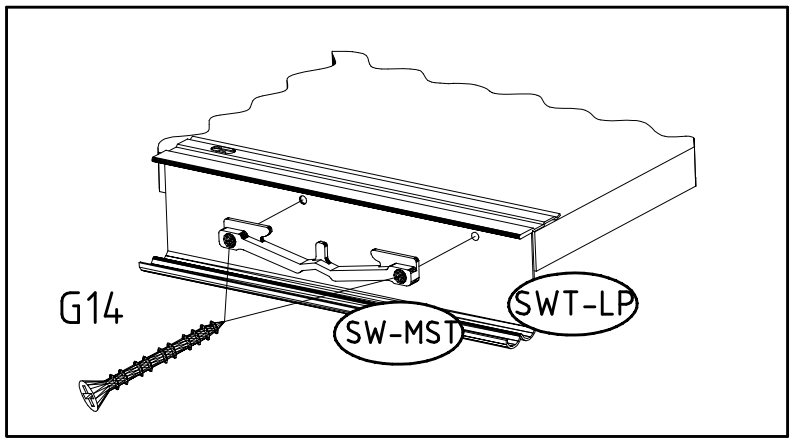
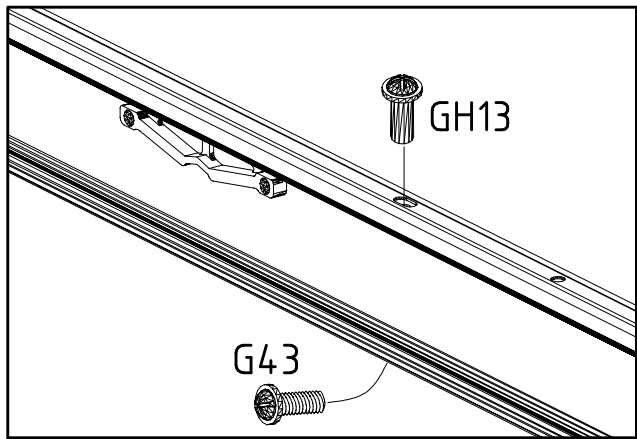
M4 x 13 mm
GH13
121 xxx

M4 x 10 mm
G43
121 xxx

SWT-SM5

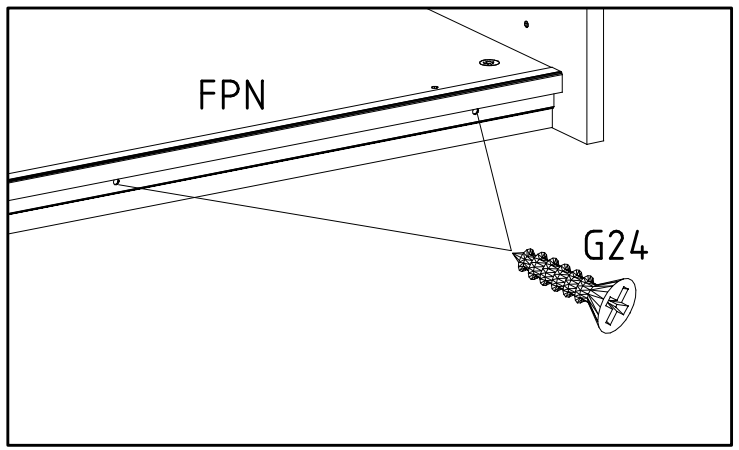
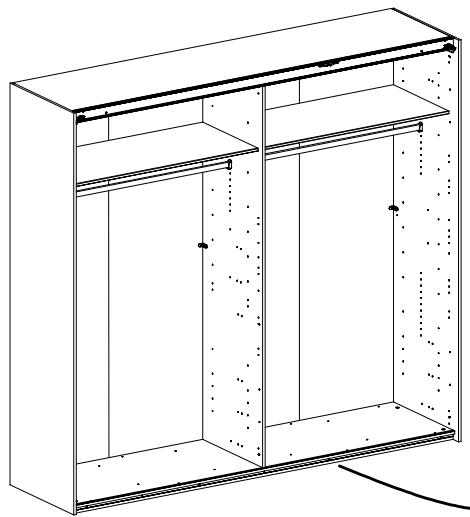
SW-STM

SWH-ST

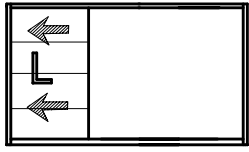
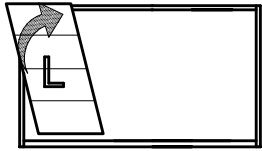


23

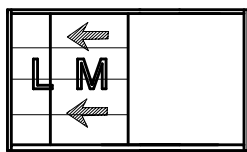
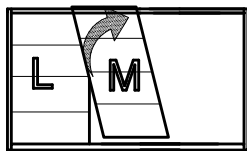
3,5 x 22 mm
G24
121 004



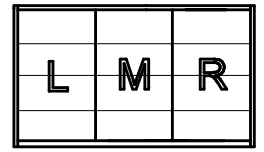
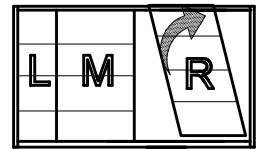
24



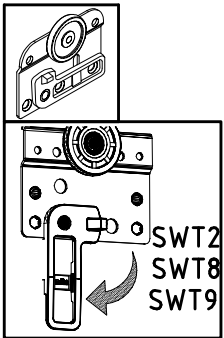
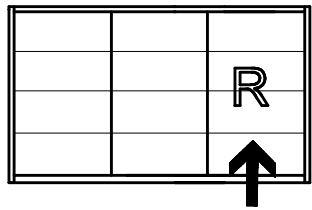
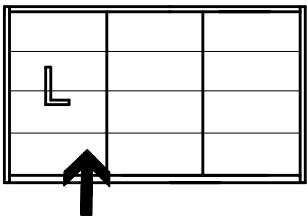
25



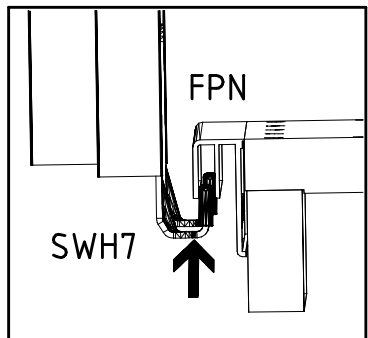
26



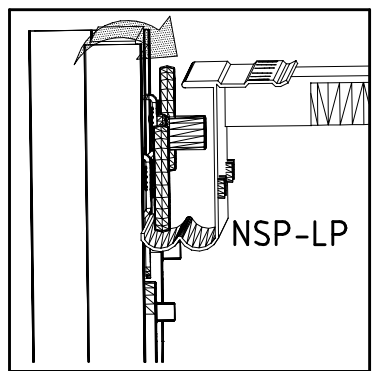
24 + 26



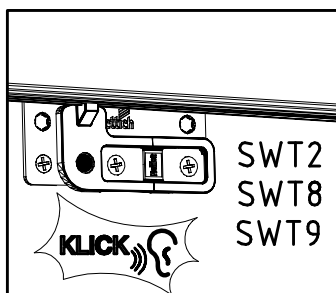
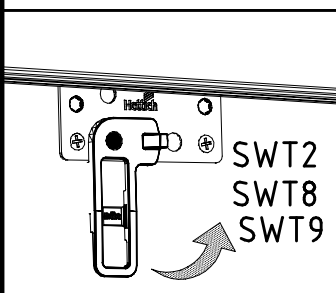
I.



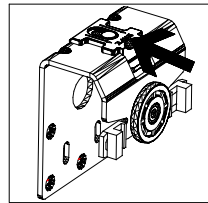
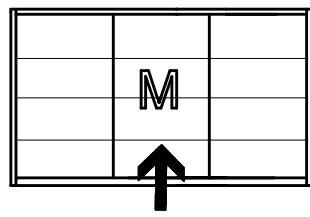
II.



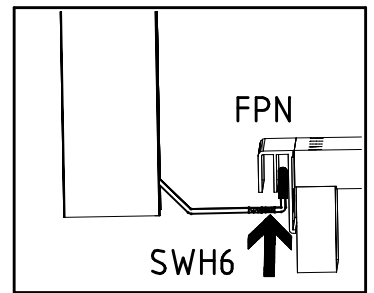
III.



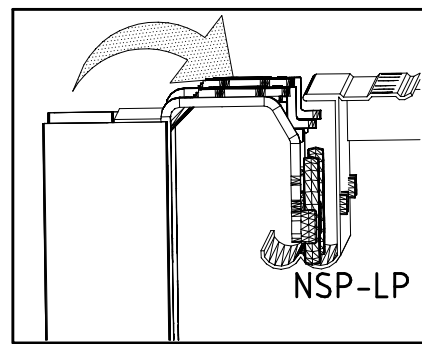
25



I.



II.



III.

